

TONE®

G-Z SERIES SHEAR WRENCH



ALL NEW DESIGN WITH BETTER PERFORMANCE

TONE® MAEDA METAL INDUSTRIES, LTD.



Light in weight!

Ergonomic grip design increases Workability!

Double insulated structure increases Safety!

New motor generates
**High Power,
 High Torque,
 High Speed,**
 ..., also Low Noise!



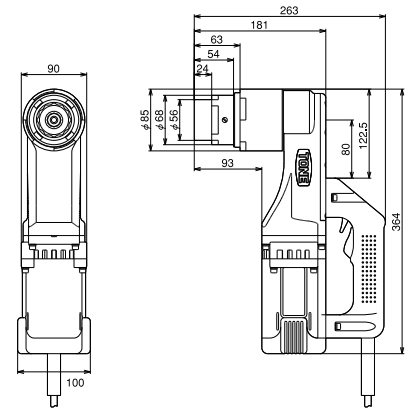
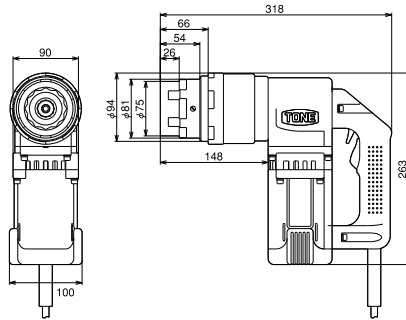
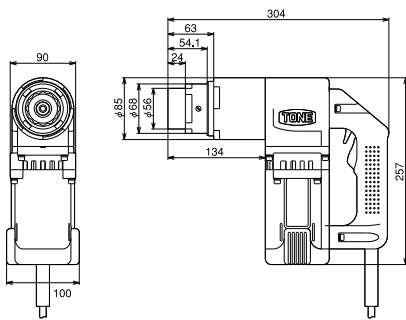
**GH-241ZA
GH-242ZA**



**GV-301ZA
GV-302ZA**



**GHN-241Z
GHN-242Z**



Model	GH-241ZA	GH-242ZA	GV-301ZA	GV-302ZA	GHN-241Z	GHN-242Z
Frequency	50-60Hz		50-60Hz		50-60Hz	
Rated Voltage(Single Phase)	110-120V	220-230V	110-120V	220-230V	110-120V	220-230V
Max. Current	19A	9.5A	17A	8.5A	16A	8A
Rated Input Power	2000W		1800W		1750W	
Intermittent Operation (rated operating time / rated resting time)	2s/3s		2s/3s		2s/3s	
Rated Max. Torque	1250N.m (922lbf.ft)		2150N.m (1586lbf.ft)		1100N.m (811lbf.ft)	
No-Load Speed	17min ⁻¹ (rpm)		8min ⁻¹ (rpm)		14min ⁻¹ (rpm)	
Sound Pressure Level	84dB(A)		84dB(A)		84dB(A)	
Acoustic Power Level	95dB(A)		95dB(A)		95dB(A)	
Vibration Level	2.5m/s ² or below		2.5m/s ² or below		2.5m/s ² or below	
Adaptable Bolts Dia.	S10T	M16, M20, M22, M24	M27, M30		M16, M20, M22, M24	
	A325	5/8", 3/4", 7/8", 1"	1", 1-1/8"		5/8", 3/4", 7/8", 1"	
	A490	5/8", 3/4", 7/8", 1"	1", 1-1/8"		5/8", 3/4", 7/8", 1"	
Weight (Main Body)	7.1kg(15.7lbs)		8.2kg(18.1lbs)		7.9kg(17.4lbs)	
Protection Class	□ (class II tool)		□ (class II tool)		□ (class II tool)	

Manufactured by

TONE MAEDA METAL INDUSTRIES, LTD.  

web site <http://www.tonetool.co.jp>
 e-mail: overseas@tonetool.co.jp

Specifications and the design are subject to change without notice.



Our QMS & EMS have been approved by LRQA.

Your Distributor