

SIMPLE TORQON

SIMPLE TORQON

Electronic Torque Control Wrench

GSR-TYPE



SIMPLE TORQON (GSR-TYPE)

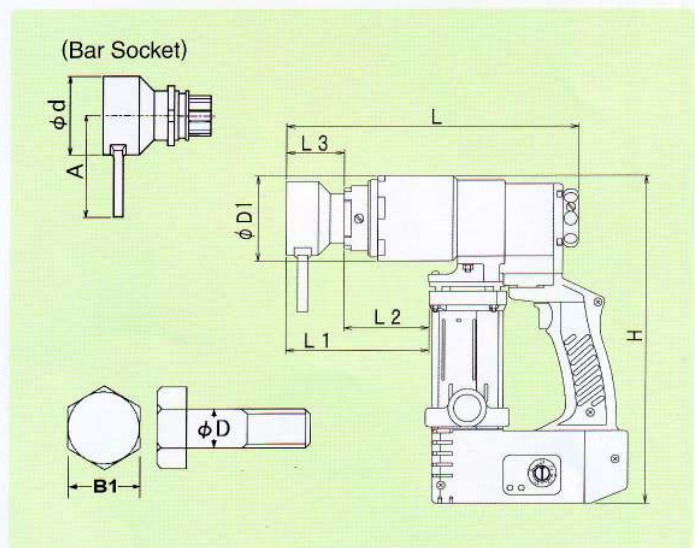
Feature and Benefit

- **SIMPLE TORQUE SETTING PROCEDURE**
Simply set target-torque value with torque graduation.
- **SIMPLE AND EASY OPERATION**
Wrench shuts off automatically when desired torque is reached.
- **ACCURATE REPEATED-TORQUE**
Range within $\pm 5\%$.
- **CAN BE OPERATED IN BOTH DIRECTIONS**
Tightening and loosening.
- **BUILT-IN "LED" INDICATOR**
Indicates wrench's operation mode real-time. Alert when problem exist.
- **LOW SOUND PRESSURE AND VIBRATION LEVEL**
Does not restrict night time or in a narrow room operation.
- **ERGONOMICALLY DESIGNED PISTOL STYLE BODY**
Unique design and light weight derive easy handling, high mobility and less fatigue after consecutive operations.

Specifications

MODEL	GSR-51E	GSR-52E	GSR-71E	GSR-72E	GSR-121E	GSR-122E	GSR-211E	GSR-212E
Rated Voltage (Single Phase)	115V~	230V~	115V~	230V~	115V~	230V~	115V~	230V~
Max. Current	13A	6A	13A	6A	13A	6A	13A	6A
Max. Input Power	1350W							
Rated Input Power	710W							
Controllable Torque Range	150~370ft•lbs (GSR-51E) 200~500N•m (GSR-52E)		260~520ft•lbs (GSR-71E) 350~700N•m (GSR-72E)		450~900ft•lbs (GSR-121E) 600~1200N•m (GSR-122E)		740~1550ft•lbs (GSR-211E) 1000~2100N•m (GSR-212E)	
No-Load Speed	23min ⁻¹		16min ⁻¹		9min ⁻¹		5min ⁻¹	
Weight (mainbody)	4.9kg(10.8lb)		5.4kg(11.9lb)		7.1kg(15.6lb)		7.3kg(16.1lb)	
L (mm)	237 ~ 254		248 ~ 265		282 ~ 293		281	
L1 (mm)	106 ~ 123		117 ~ 134		150 ~ 161		150	
L2 (mm)	64		75		94		101	
L3 (mm)	41 ~ 58		41 ~ 58		55 ~ 66		49	
D1 (mm)	68		75		85		98	
H (mm)	286		289		304		299	

Bar Socket Code No.	Bolt Size ϕD			Bolt Across flat B1		Bar Socket ϕd A	
	S10T	A325 A490	S8T	(mm)	(inch)	(mm)	(mm)
for GSR-51E / GSR-52E / GSR-71E / GSR-72E							
MRU24T			M16	24		54	82.5
MRU27T	M16	5/8"	M18	27	1-1/16"	59	82.5
MRU30T			M20	30		59	82.5
MRU32T	M20	3/4"	M22	32	1-1/4"	59	82.5
MRU36T	M22		M24	36		65	82.5
MRUB46Z		7/8"			1-7/16"	65	82.5
MRU41T	M24	1"	M27	41	1-5/8"	70	90.0
for GSR-121E / GSR-122E							
HRU36T	M22		M24	36		70	82.5
HRUB46Z		7/8"			1-7/16"	70	82.5
HRU41T	M24	1"	M27	41	1-5/8"	75	90.0
HRU46T	M27	1-1/8"	M30	46	1-13/16"	80	100.0
for GSR-211E / GSR-212E							
VRU41T	M24	1"	M27	41	1-5/8"	75	125.0
VRU46T	M27	1-1/8"	M30	46	1-13/16"	80	125.0
VRU50T	M30		M33	50		85	125.0
VRUB64Z		1-1/4"			2"	85	125.0



Manufactured by

MAEDA METAL INDUSTRIES, LTD.
OSAKA, JAPAN.

Specifications and the design are subject to change without notice.
web site <http://www.tonetool.co.jp>
e-mail: overseas@tonetool.co.jp
CGSRT037.SP



Our QMS & EMS have been approved by LRQA.

Your Distributor